

3560 SERIES

Miniature, Pneumatic, High Pressure, Captured Venting
Pressure Reducing Regulators



Premier 3560 Series pressure reducing regulators are your affordable and compact solution for high pressure pneumatic applications. These rugged, piston sensed regulators are designed for inlet and outlet pressures up to 10000 PSIG (*689.48 bar*) and Cv 0.06 or 0.20. Pipe away potentially toxic or hazardous media with the tamper resistant captured venting. Optional panel mounting and bottom mounting available.

FEATURES

- 10000 psig (*689.48 bar*) max
- Captured-venting
- Cv 0.06, or 0.20
- Machined bar stock body and piston eliminates porosity found in castings
- Rear mounting holes standard with optional panel mounting nuts
- Compact and economically priced

SOME APPLICATIONS WILL REQUIRE A CUSTOM SOLUTION.
CONTACT PREMIER INDUSTRIES TO REQUEST A MODIFICATION
OR A CUSTOM DESIGN.

SPECIFICATIONS

- **MAXIMUM INLET PRESSURE:**
 - 10000 PSIG (*689.48 bar*)
- **CONTROL PRESSURE RANGES:**
 - 0-250 PSIG (*0-17.24 bar*)
 - 5-500 PSIG (*0.34-34.47 bar*)
 - 5-800 PSIG (*0.34-55.16 bar*)
 - 10-1500 PSIG (*0.69-103.42 bar*)
 - 15-2500 PSIG (*1.03-172.37 bar*)
 - 25-4000 PSIG (*1.72-275.79 bar*)
 - 50-6000 PSIG (*3.45-413.69 bar*)
 - 100-10000 PSIG (*6.89-689.48 bar*)
- **Cv:** 0.06, 0.20

PORTING

- **STANDARD INLET:** 1/4" FNPT
- **STANDARD OUTLET:** 1/4" FNPT
- **GAUGE PORTS:** 1/8" FNPT, 2X
- **VENT PORT:** 1/4" FNPT

OPTIONAL ITEMS

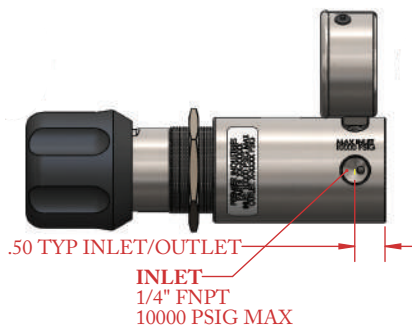
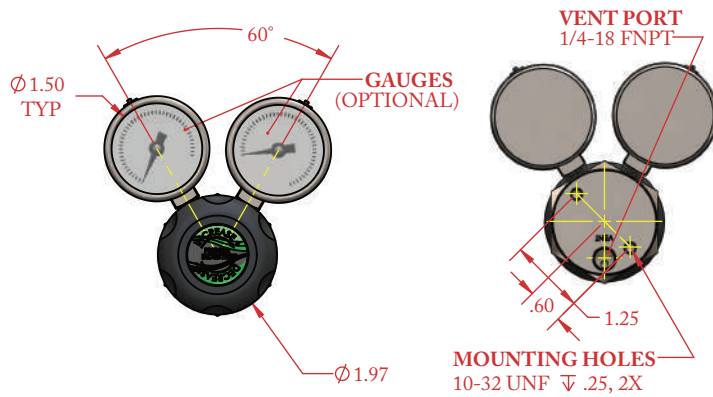
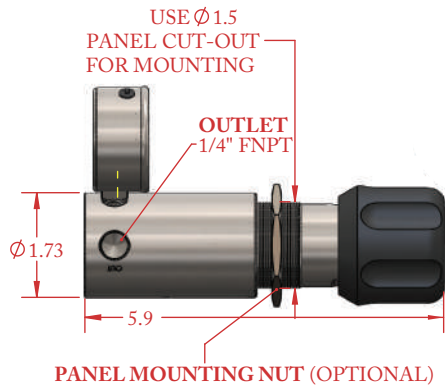
- Gauges (*316 stainless steel wetted components, 304 stainless steel case, glycerine filled*)
- Panel mounting configuration
- Private label

MATERIALS OF CONSTRUCTION

- **BODY:**
 - 303 Stainless Steel
 - 316 Stainless Steel
 - 6061-T6 Aluminum, Nickel Plated (*6000 psig max*)
- **BONNET:**
 - 303 Stainless Steel (*Non-wetted*)
- **VALVE STEM:**
 - 17-4 Stainless Steel
- **OTHER WETTED PARTS:**
 - 316 Stainless Steel (*with 316 stainless steel body option*)
 - 300 Series Stainless Steel (*with all other body options*)
- **SENSOR PISTON & HOUSING:**
 - 17-4 Stainless Steel
- **SEALS:**
 - Buna-N
 - Viton®
 - EPDM
 - Low-temperature nitrile
- **MAIN VALVE & VENT VALVE SEAT OPTIONS:**
 - Vespel®
 - PEEK®
 - PCTFE (*aluminum body option only*)

*Vespel® and Viton® are registered trademarks of E.I. duPont de Nemours and Company
PEEK® is a registered trademark of Victrex PLC*

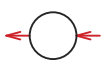



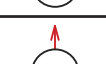
PART NUMBER: 30-10466



PART #	1	-	2	3	4	-	5	6	7
30-10466		-				-			

1	VENT/MAIN VALVE SEAT MATERIAL
1	Vespel Sp-1®
2	PEEK®
3	PCTFE (<i>Aluminum body only</i>)
2	OUTLET PRESSURE
1	0-250 psig (0-17.24 bar)
2	5-500 psig (0.34-34.47 bar)
3	5-800 psig (0.34-55.16 bar)
4	10-1500 psig (0.69-103.42 bar)
5	15-2500 psig (1.03-172.37 bar)
6	25-4000 psig (1.72-275.79 bar)
7	50-6000 psig (3.45-413.69 bar)
8	100-10000 psig (6.89-689.48 bar)

3	BODY MATERIAL & FINISH
1	303 Stainless Steel
2	316 Stainless Steel
3	6061-T6 Aluminum, Nickel plated <i>6000 psig max</i>
4	O-RING MATERIAL
1	BUNA-N
2	VITON®
3	EPDM
4	NITRILE, LO-TEMP
5	FLOW (Cv)
1	0.06
2	0.20

6	GAUGES/ PORTING
1	No gauges, 'S' porting 
2	No gauges, 'C' porting 
3	Include gauges, 'C' porting 
4	No gauges, 'A' porting 
5	Include gauges, 'A' porting 
7	MOUNTING
1	Bottom mount only
2	Panel mounting & bottom mount

10000 PSIG MAX INLET

The end user is responsible to ensure adequate fittings are used to connect regulator to plumbing.

*Vespel® & Viton® are registered trademarks of E.I. duPont de Nemours and Company.
PEEK® is a registered trademark of Victrex PLC*

*Contact factory for material certifications.
Fees may apply.*