



✓ **Applications**

Range of Dead weight tester is designed to test, adjust and calibrate measuring instruments, mechanical or electronic pressure by comparison (pressure gauges, pressure transmitters or sensors or switches)

They consist of a pressure generator, a piston/cylinder unit, a set of weigh identified. The capstan is used to generate a pressure pushing the fluid through the piston. This pressure is balanced by the piston/cylinder assembly which allows to compare the instrument to be calibrated to the pressure values generated by the standard. These scales are intended for the calibration gauge.

The Dead weight are robust and easy to use and have a high long-term stability.

✓ **Technical specifications**

- Calibration :	It is necessary to recalculate the pressure generated by the dead weight according to the different variables. Our dead weight are calibrated in the following terms of use : Temperature 20°C - Pressure atmos. 1013.25 hPa - Humidity 50% - acceleration 9.80665 m/s ²
- Fluid :	Mineral or synthetic oil depending on model, colorless, compatible with medical or food uses – tank volume 125 cm ³
- Check/adjust the seat :	leveling bubble and adjustable feet
- Connection for the instrument to be tested :	swivel G1/2 standard
- Motorization :	Driving of the rotating weight with display of the position of the piston leds luminous
- Carter :	Light alloy aluminium AG3 + high-resistance paint
- Ratchet :	removable for transport
- Piston/cylinder :	Single or twin piston tungsten carbide and/or treated steel - Repeatability : 2.10 ⁻⁵ - Sensitivity : 1.10 ⁻⁵ - Precision dead weight : 10 ⁻⁴
- Weight :	stainless steel - Weight of the set of weights from 25 kg to 100 kg depending on model – Shape masses ergonomic, easy loading of the masses on the bell - Marking corresponding with the measuring unit (bar, mbar, KPa, PSI etc..)

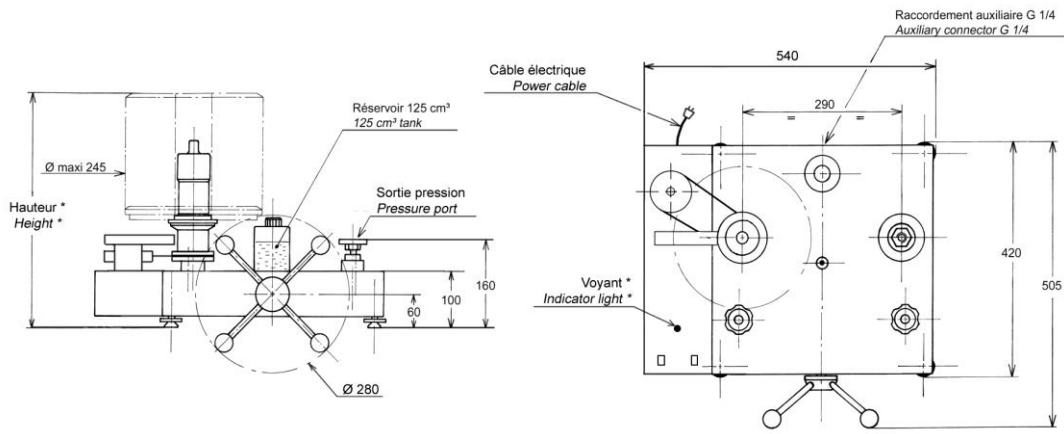
✓ **Specific Model**

- Model :	BH3-300B sp – Dead weight tester single piston with motorization
- Measuring range :	1 to 300 bar / 15 to 4000 PSI / 100 to 30000 kPa
- Accuracy dead weight :	0.001 + (1.10 ⁻⁴ x P) (with P in bar)
- Weight dead weight without masses :	22 kg
- Fluid :	Oil H40 - fluid density : 860 kg/m ³
- Typical cross-section of the piston :	7.84875 mm ²
- Material piston/cylinder :	tungsten carbide
- Number of piston :	1

✓ **Divers**

- **Manuel** : a detailed operating instructions supplied with the device + Certificate + 0.5 liter Oil
- **Maintenance** : Our technical department is at your disposition for the revision, calibration or service your unit – Calibration device recommended every 2 years.

✓ **Dimensions of device**



Height with standard set of weight : (bar, KPa) : 340 mm (PSI) : 350 mm

Unit used : mm

✓ **Standard weight sets and intermediate**

Standard set			
	Pressure (bar)	Total weight	Typical value (g)
Unit : BAR (Ref. MB0024)	100	1	8000
	90	1	7200
	50	1	4000
	20	2	1600
	10	1	800
	5	1	400
	2	2	160
	1	1	80
	0.5	1	40
	Initial pressure large bell	10	x
Initial pressure Small bell + weight adaptation	1	x	80
TOTAL	311.5	11	±25 kg

Intermediate set			
	Pressure (bar)	Total weight	Typical value (g)
BAR (Ref. MB0026)	0.2	2	16
	0.1	1	8
	0.04	2	3.2
	0.02	1	1.6
TOTAL	0.6	6	48 g

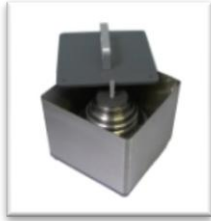
Standard set			
	Pressure (PSI)	Total weight	Typical value (g)
Unit : PSI (Ref. MB0076)	1000	2	5520
	900	1	4968
	500	1	2760
	200	2	1104
	100	1	552
	50	1	276
	20	2	110.4
	10	1	55.2
	5	1	27.6
	Initial pressure large bell	100	x
Initial pressure Small bell + weight adaptation	15	x	83
TOTAL	4120	12	±23 kg

Intermediate set			
	Pressure (PSI)	Total weight	Typical value (g)
PSI (Ref. MB0030)	2	2	11
	1	1	5.5
	0.4	2	2.2
	0.2	1	1.1
TOTAL	6	6	33 g

Standard set			
	Pressure (Kpa)	Total weight	Typical value (g)
Unit : kPa	10000	1	8000
	9000	1	7200
	5000	1	4000
	2000	2	1600
	1000	1	800
	500	1	400
	200	2	160
	100	1	80
	50	1	40
	Initial pressure large bell	1000	x
Initial pressure Small bell + weight adaptation	100	x	80
TOTAL	31150	11	±25 kg

Intermediate set			
	Pressure (Kpa)	Total weight	Typical value (g)
kPa	20	2	16
	10	1	8
	4	2	3.2
	2	1	1.6
	TOTAL	60	6

✓ **Options for weight set**



transport metal boxes

(OP0101) : 260 x 260 x 310 mm - weight empty : 6 kg

Suitcase for post planning and transportation

(OP0095) small : 280 x 250 x 280 mm - weight empty : 5 kg

(OP0099) large : 500 x 350 x 280 mm - weight empty : 11 kg

Useful for BH3-300B sp : Consult us !

✓ **Options**

- Intermediate weight set or Standard weight set additional for different units
- Adjust the dead weight with a different acceleration of 9.80665 m/s^2 on request
- Calibration of the instrument : Points statement AREMECA or certificate of calibration DAkkS or COFRAC
- Tin oil : 1 liter, 2 liters or 5 liters of oil

✓ **Transport and packaging**

- **Packaging** : woodpack is provided for the shipping

Designation/Reference	Dimension / carton or shipping crate	Weight empty / total weight (packaging + materiel)
Dead weight without weight	470 x 470 x 240 mm	Carton empty 1.5 kg Total weight ± 20 kg
Standard weight set	300 x 300 x 170 mm	Carton empty 1.5 kg Total weight ± 28 kg
Wood packaging SB0003	980 x 700 x 400 mm	Suitcase empty 20 kg Total weight ± 70 kg (dead weight + weight set + packaging)



SB0003

- **Note** : shipping is extra.

✓ **Other models available in the range BH3**

(Datasheet is available on request)

Models single piston

Models	Accuracy	Measuring range		
		Bar ou kg/cm^2	PSI	kPa
BH3-5000B	10^{-4}	40 to 5000	600 to 72500	4000 to 500000
BH3-4000B	10^{-4}	40 to 4000	600 to 60000	4000 to 400000
BH3-3000B	10^{-4}	40 to 3000	600 to 44000	4000 to 300000
BH3-2500B	10^{-4}	40 to 2500	600 to 36200	4000 to 250000
BH3-2000B	10^{-4}	40 to 2000	600 to 30000	4000 to 200000
BH3-1200B sp	10^{-4}	2 to 1200	30 to 16000	200 to 120000
BH3-600B sp	10^{-4}	2 to 600	30 to 10000	200 to 60000
BH3-150B	10^{-4}	0.5 to 150	10 to 2000	50 to 15000
BH3-60B	10^{-4}	0.2 to 60	3 to 800	20 to 6000
BH3-30B	10^{-4}	0.1 to 30	2 to 400	10 to 3000

Dual piston models : these dead weight tester integrating two pistons can get two ranges from a single set of weight

Models	Accuracy	Measuring range		
		Bar ou kg/cm^2	PSI	kPa
BH3-1200B dp	10^{-4}	1 to 60 + 20 to 1200	10 to 800 + 200 to 16000	100 to 6000 2000 to 120000
BH3-600B dp	10^{-4}	1 to 60 + 10 to 600	10 to 800 + 100 to 8000	100 to 6000 1000 to 60000
BH3-300B dp	10^{-4}	1 to 60 + 5 to 300	10 to 800 + 50 to 4000	100 to 6000 500 to 30000

✓ **Accessories** (Ask for our specific documentation)

- Accessory case (ref.OP0057)
- Setting gauge kit (ref.OP0125)
- Separator all fluids up to 800 bar (ref.OP0023)
- Case connectors M (ref.OP0174) – Case connectors G (ref.OP0171) - Case connectors NPT (ref.OP0172) - Case connectors BSP-TR (ref.OP0173) - Case with 17 connectors M + G + NPT + BSP-TR (ref.OP0037) – unit connector (consult us)
- Kit drain tank (ref.OP0025)
- Bench cleaning (ref.OP0062)
- Carrying case (ref.OP0002)